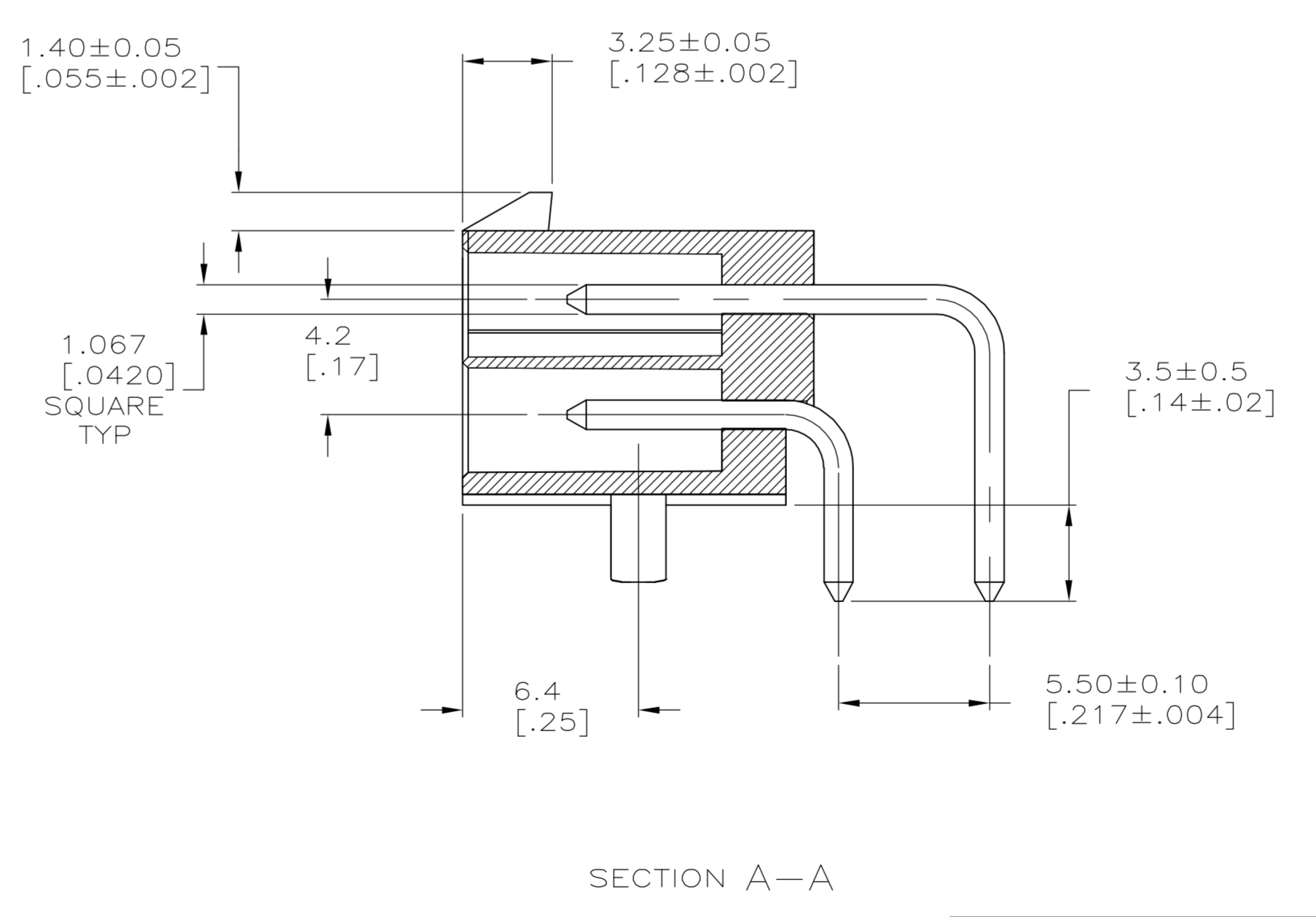
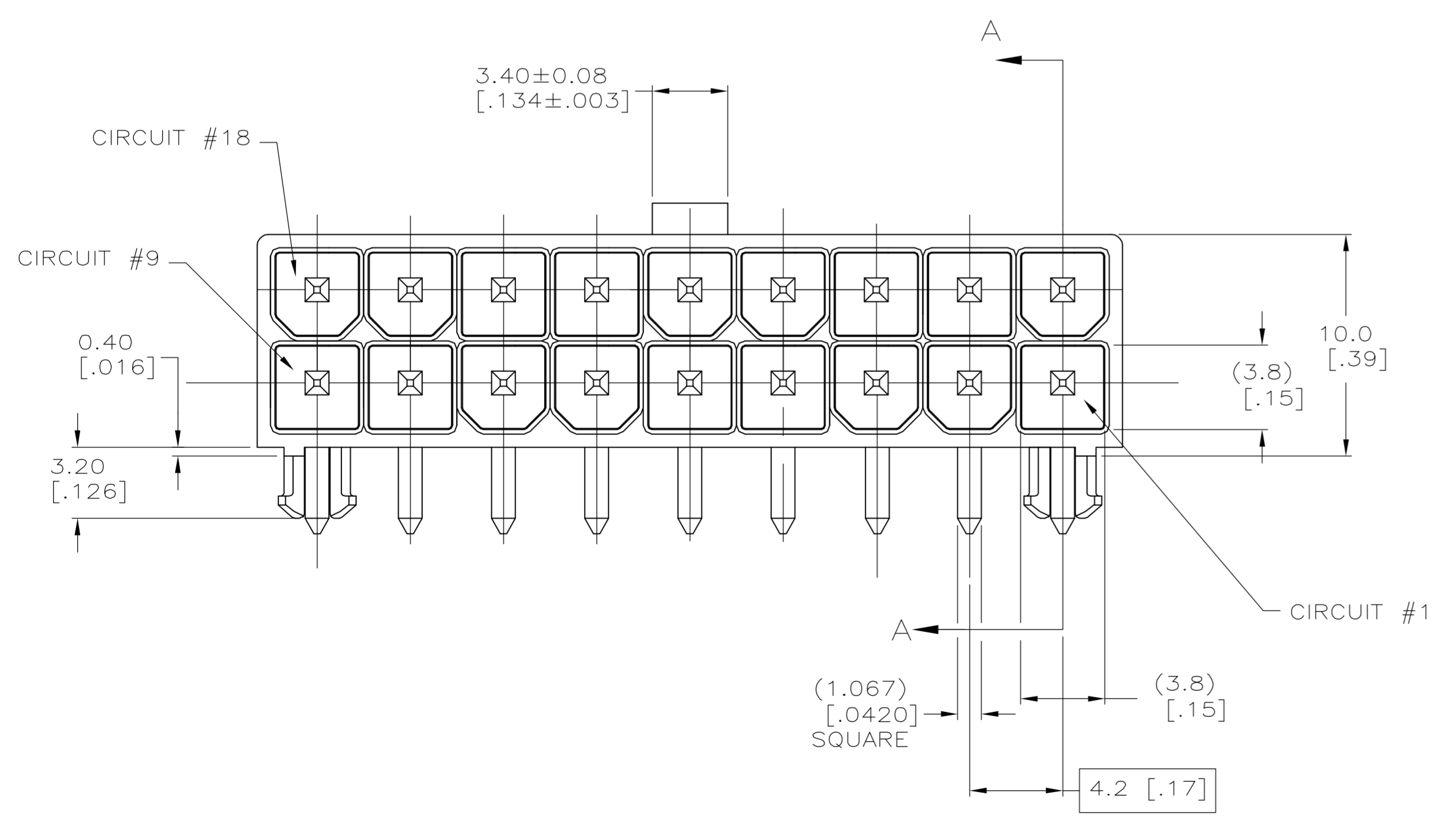
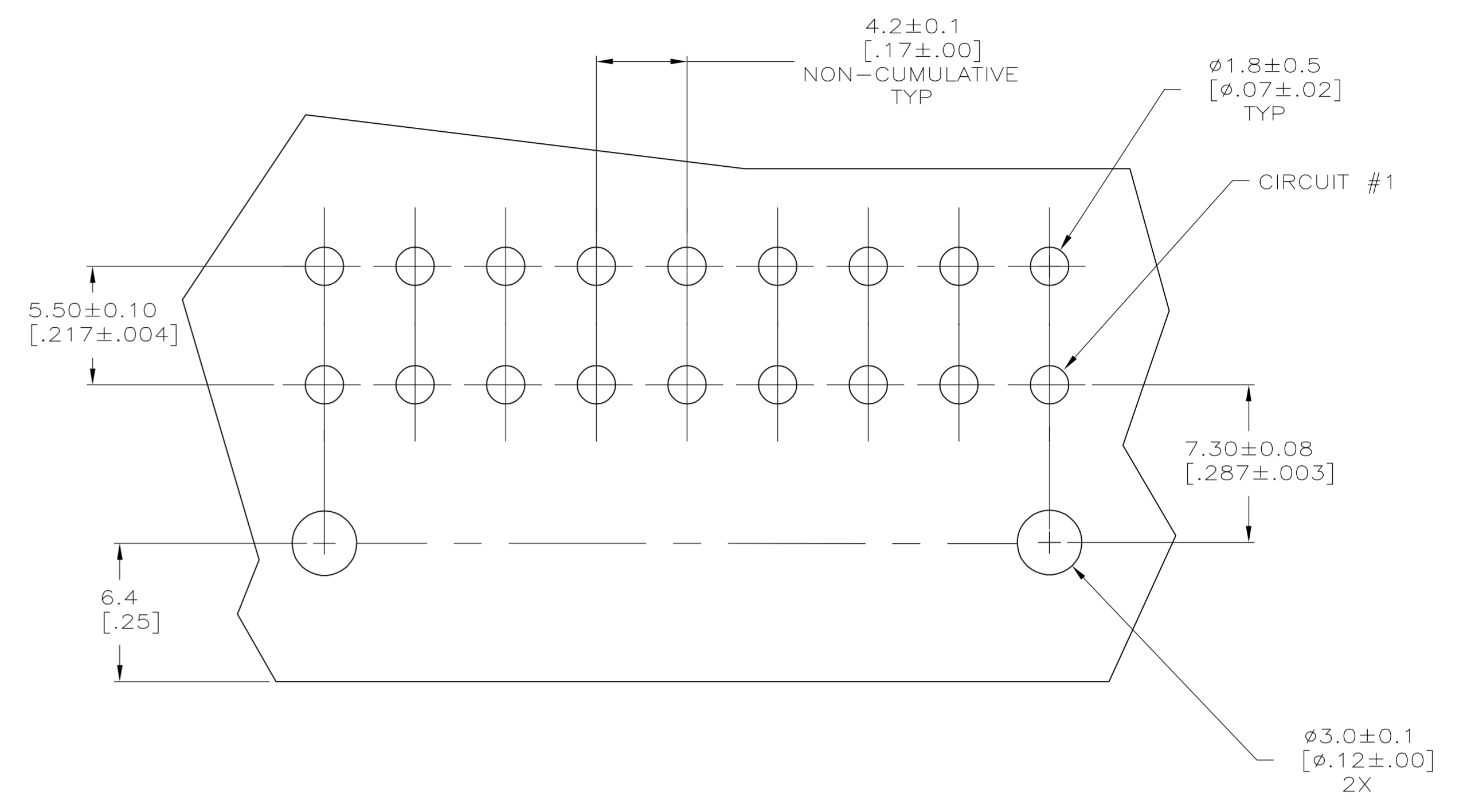
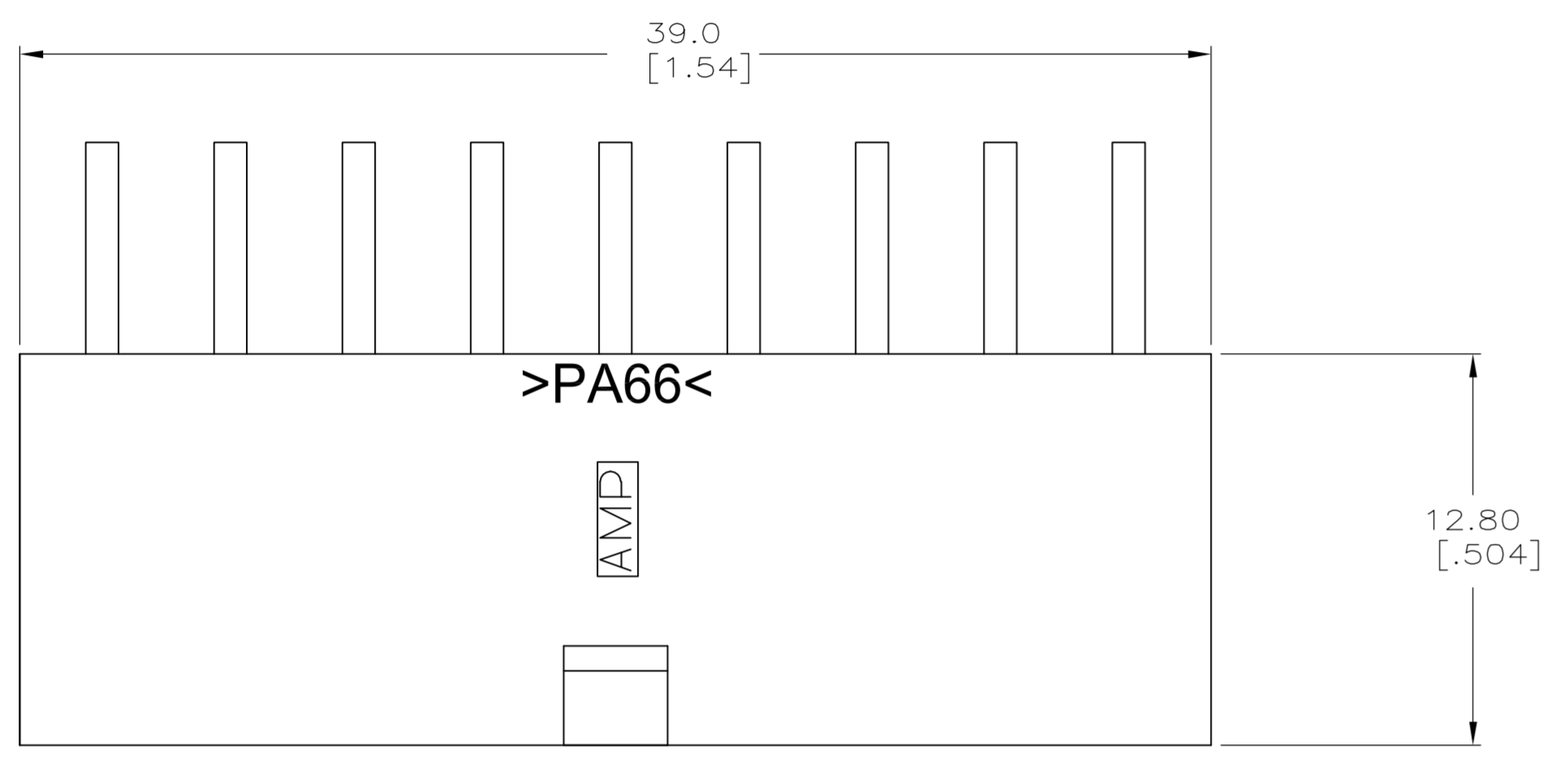


- 1 MATERIAL: HOUSING - NYLON, UL94V-2 (COLOR - NATURAL).
PIN - 1.067mm² [.0017in²] COPPER ALLOY.
- 2 PINS TO COMPLY WITH SOLDERABILITY SPEC 109-11-3.
- 3 0.00381 [.000150] MINIMUM TIN LEAD OVER 0.00127 [.000050] MINIMUM NICKEL, ENTIRE LENGTH OF PIN.
- 4 NOTE DELETED.
- 5 0.00381 [.000150] MINIMUM TIN OVER 0.00127 [.000050] MINIMUM NICKEL, ENTIRE LENGTH OF PIN.



SUPERSEDED BY 1-794514-1

1	5	1	1	1-794514-1
1	3	1	1	794514-1
MATERIAL		FINISH		ASSEMBLY
PIN		HOUSING		

METRIC

THIS DRAWING IS A CONTROLLED DOCUMENT.

DIMENSIONS:	TOLERANCES UNLESS OTHERWISE SPECIFIED:	DWN S. HOOVER 02-MAR-2005	tyco Tyco Electronics Corporation Harrisburg, Pa 17105-3608
mm [INCHES]	0 PLC ± .02 [0.1]	CHK D. COLEY 02-MAR-2005	
	1 PLC ± .02 [0.1]	APVD D. COLEY 02-MAR-2005	NAME
	2 PLC ± .013 [0.05]		ASSEMBLY, HEADER, RIGHT ANGLE, 18 POSITION, W/PEGS, 94V-2, AMP-DUACT™ POWER CONNECTOR
	3 PLC ± .013 [0.05]		PRODUCT SPEC
	4 PLC ± .013 [0.05]		108-1646
	ANGLES ± 30°		APPLICATION SPEC
			114-6067
MATERIAL SEE CHART	FINISH SEE CHART	SIZE CASE CODE DRAWING NO	RESTRICTED TO
		WEIGHT	A1 00779 ©=794514
		CUSTOMER DRAWING	SCALE 5:1 SHEET 1 OF 1 REV D